



2016 UNITED STATES ROTAX MAX Challenge

BULLETIN 2016-5

IMPLEMENTATION: January 19th, 2017

Modified regulations: - **2016 USRMC TECHNICAL REGULATION – APPENDIX FOR 125 MINI MAX AND 125 MICRO MAX**

This bulletin is necessary to correct an obvious wording mistake.

In section : **1. Rotax Mini-Max**, page 3, it is written:

6.13. Exhaust system

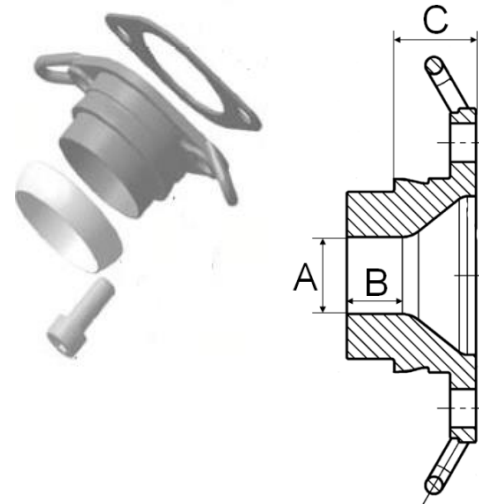
Only exhaust socket (ROTAX part no.273194) with gasket ring is legal to be used.

Diameter (A) must apply for a length (B) of at least 12 mm.

Maximum inner diameter (A) of exhaust socket is:

125 Micro MAX: 20,20 mm

The measurement (C) must be at least 18,5 mm.



This is replaced by:

6.13. Exhaust system

Only exhaust socket (ROTAX part no.273194) with gasket ring is legal to be used.

Diameter (A) must apply for a length (B) of at least 12 mm.

Maximum inner diameter (A) of exhaust socket is:

125 Mini MAX: 20,20 mm

The measurement (C) must be at least 18,5 mm.

The modifications in this bulletin have been integrated in the 2016 USRMC Technical Regulation – Appendix for 125 Mini MAX and 125 Micro MAX. The version dated January 19th, 2017 replaces the version dated December 22nd, 2016.